

Multi Leaf Collimator

Itishree Priyadarshini

Asst. Prof. in Medical Physics

AHRCC, Cuttack

Conventional Beam shaping

- Rectangular Field produced by two sets of collimators (or jaws) built into the treatment machine.
- Irregular fields can be produced by using secondary custom blocks attached to the treatment machine beyond the collimator jaws.
- Conventional blocks are
 - Set of **lead blocks** of different shapes and sizes given by the vendor.
 - **Cerrobend blocks** fabricated individually for each radiation treatment field.

Conventional Beam shaping

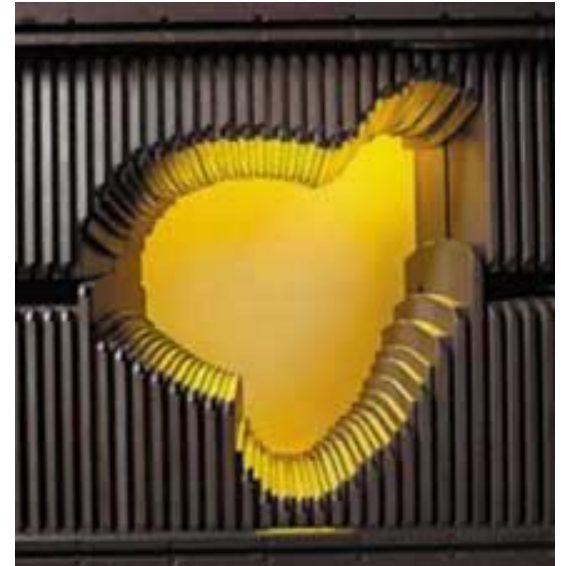


Drawbacks of Conventional Block

- Treatment delivery time increases as technologist has to enter the treatment room for each beam to adjust the block set up.
- The fabrication process is lengthy and involves handling of toxic cerrobend material.
- Manual placement of blocks over tray attached to the machine may lead to accidents involving dropping or falling of blocks causing injury to patients and technologists.

Multi leaf collimators

- Multi leaf collimators are introduced into Linacs in the 1980's.
- Multi leaf collimators are a pair of jaws divided into independent movable sections or leaves.
- Computer controlled.
- Shapes fields quickly. (No need of Block set up)
- It can also be used for dynamic treatment. (Intensity Modulation)



Basic Application of MLC

- To replace conventional blocks.
- Matching the BEV to PTV during an Arc rotation of X ray beam.
- Achieve beam intensity modulation.

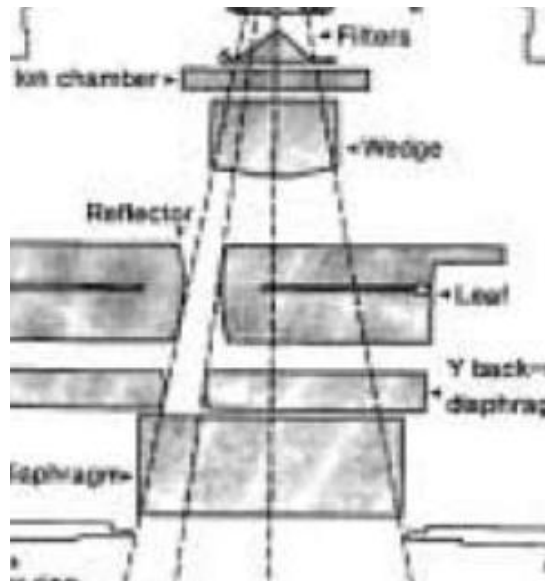


Materials and properties

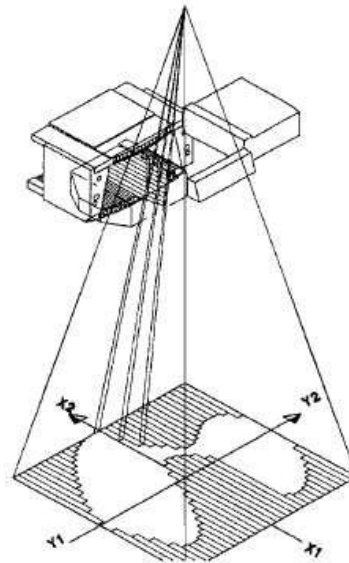
- Tungsten alloy (tungsten, Fe, Cu, Ni) is the material of choice for leaf construction.
- High density
- Hard
- Inexpensive
- low coefficients of thermal expansion
- density of Pure tungsten = 19.3 g/cm^3
density of the alloys = $17.0\text{-}18.5 \text{ g/cm}^3$

MLC configuration

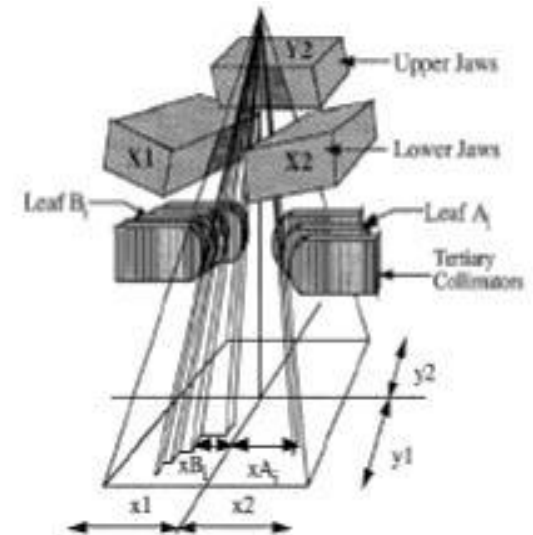
- Upper jaw replacement (**Elekta**)
- Lower jaw replacement (**Siemens**)
- Tertiary Collimation (**Varian**)



Elekta

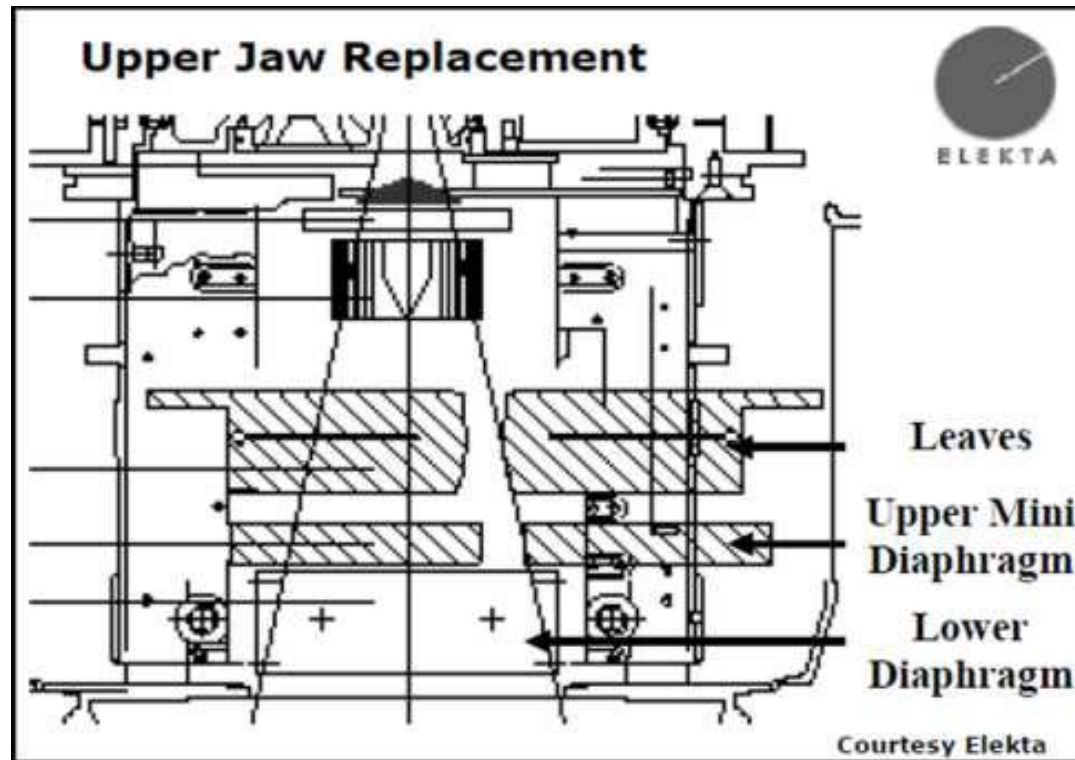


Siemens



Varian

Upper jaw replacement



Upper jaw replacement

- In this configuration the upper jaw is split into a set of leaves. (used by Elekta)
- MLC leaves move in the Y-direction (parallel to the axis of rotation of the gantry)
- A “back-up” collimator located beneath the leaves and above the lower jaws augments the attenuation provided by the individual leaves.
- The back-up diaphragm is essentially a thin upper jaw that can be set to follow the leaves if they are arranged together to form a straight edge, or else, set to the position of the outermost leaf if the leaves form an irregular shape.

Upper jaw replacement

➤ Advantages

- The range of motion of the leaves required to traverse the collimated field width is smaller,
- It allows for a shorter leaf length and therefore a more compact treatment head diameter

➤ Disadvantages

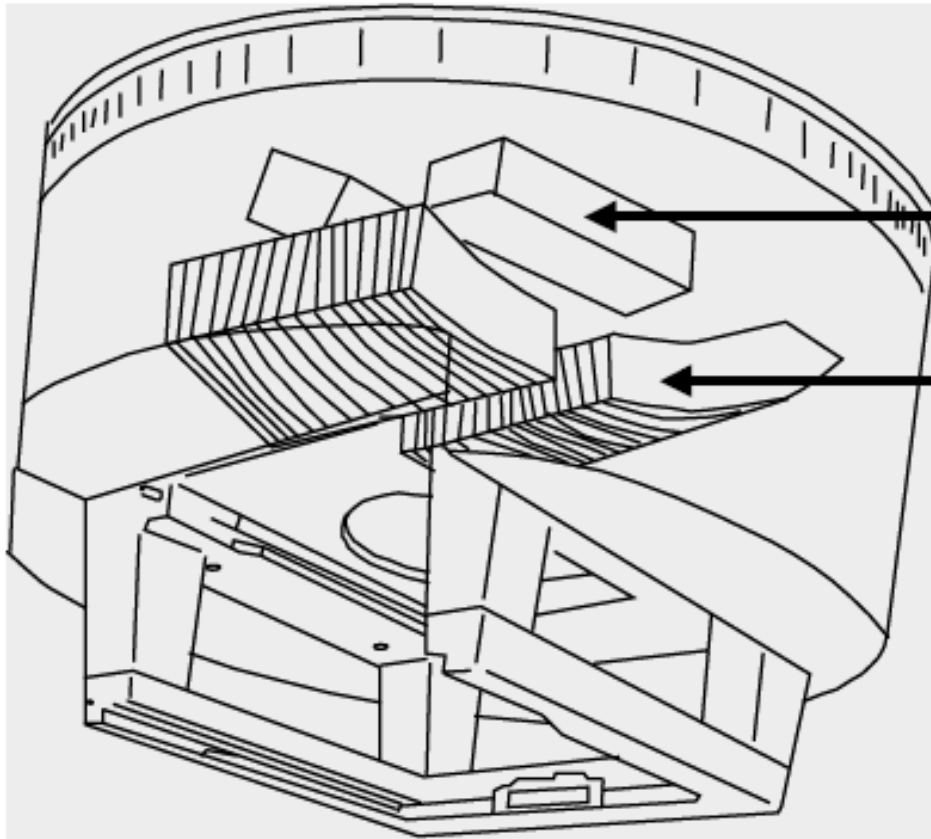
- Having MLC leaves so far from the accelerator isocenter needs leaf width must be somewhat smaller.
- Tolerances on the dimensions of the leaves as well as the leaf travel must be tighter than for other configurations.

Lower Jaw Replacement

- The lower jaws can be split into a set of leaves as well. (Siemens) and is doublefocused.
- Both leaf ends and leaf sides match the beam divergence.
- There are no backup jaws.

Lower Jaw Replacement

SIEMENS



Upper
Diaphragm

Leaves

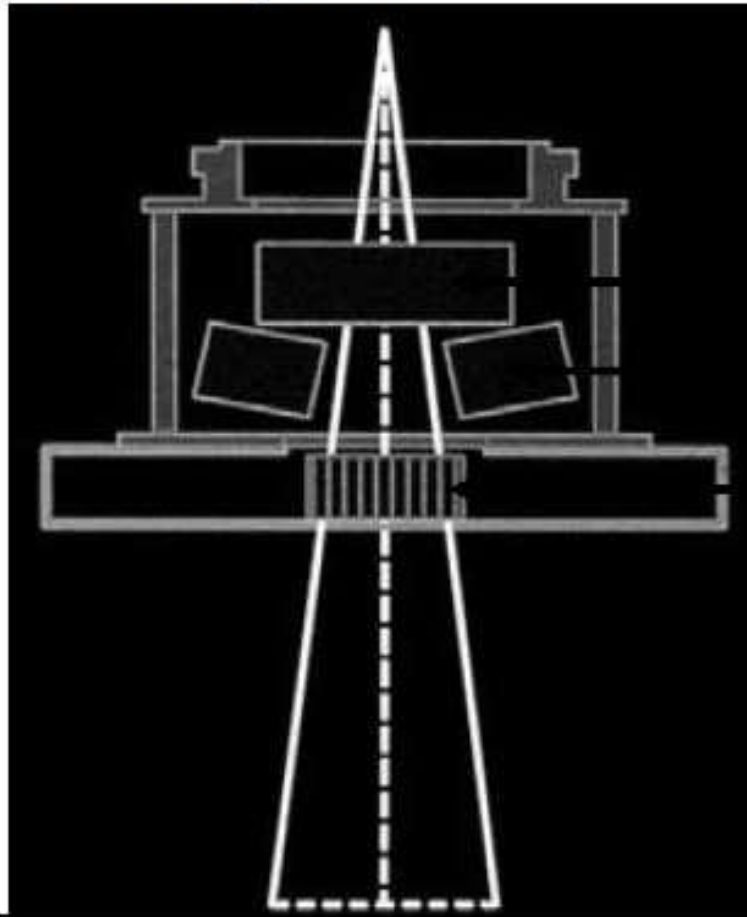
Courtesy Siemens

Tertiary collimation

- MLC are positioned just below the level of the standard upper and lower adjustable jaws(**Varian**).
- This avoids the lengthy downtime in the event of a MLC system malfunction.
- It is possible to move leaves manually out of the field should a failure occur.
- The treatment can be continued by using 'Cerrobend' individual blocks.

Tertiary MLC

VARIAN
medical systems



Upper Diaphragm

Lower Diaphragm

Leaves

Courtesy Varian

Upper jaw replacement

- **Advantages**

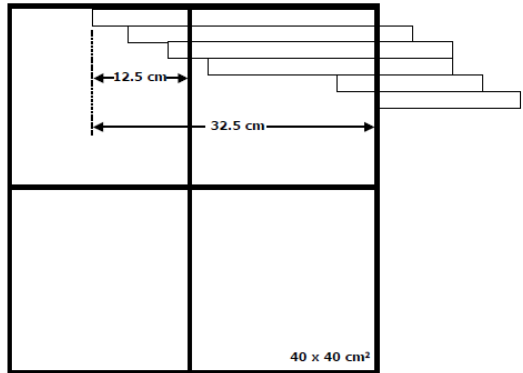
- Allows retro-fitting of MLCs on existing units.
- Leaves can be manually moved out in case of system malfunction/failure and treatment continued using customized blocks.
- Allows larger leaf width; easier manufacturing.
- Easier Leaf positioning / Lesser positional accuracy needed.

- **Disadvantages**

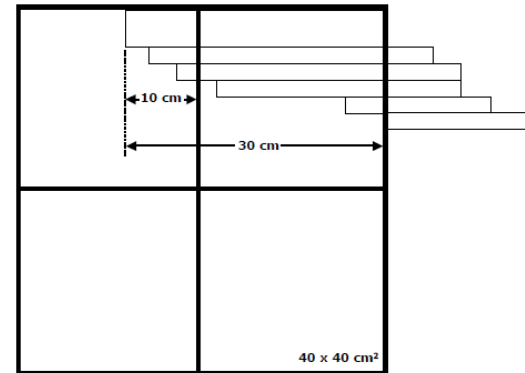
- Added bulk and clearance to the mechanical isocenter.
- Moving the MLC further away from the xray target requires increasing the leaves size and a longer travel distance.

Leaf travel distances

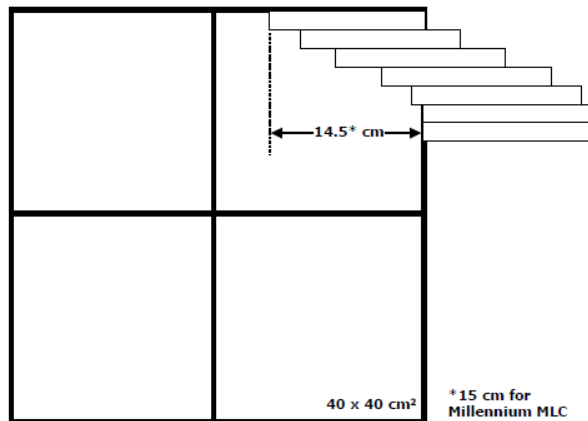
Leaf Travel - Elekta



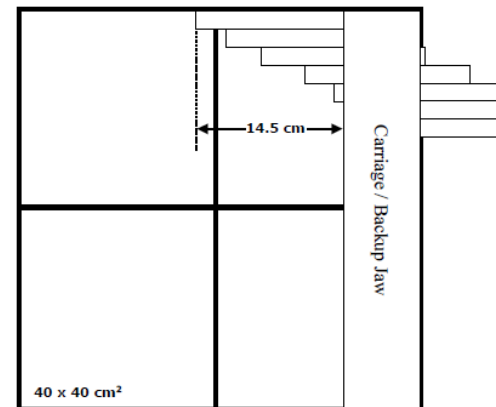
Leaf Travel - Siemens



Leaf Travel - Varian

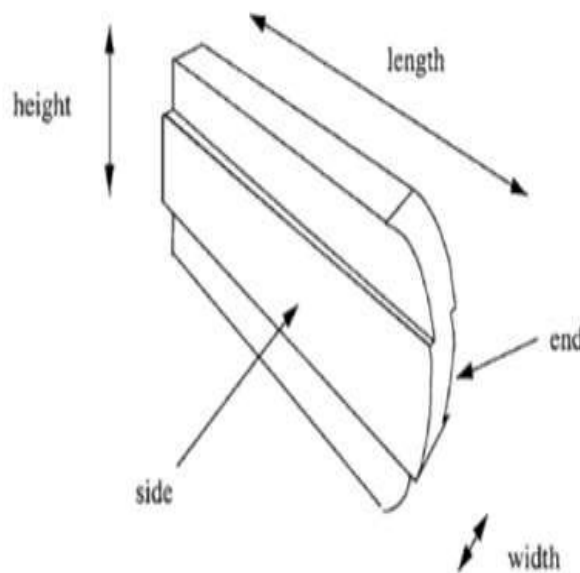


Leaf Travel - Varian



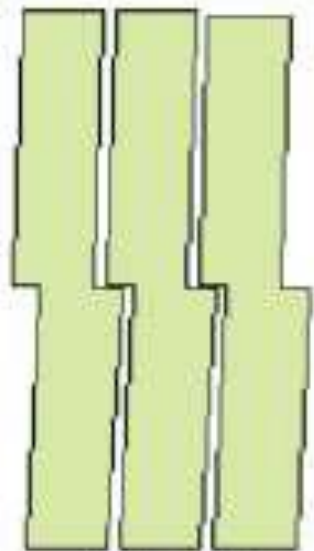
MLC Leaf design

- **Width of a leaf**-small dimension of the leaf perpendicular to the direction of propagation of the x-ray beam and perpendicular to the direction of motion of the leaf.
- **Length of the leaf**- leaf dimension parallel to the direction of leaf motion.
- **Leaf end**-Surface of the leaf inserted into the field.
- **Leaf sides** -Surfaces in contact with adjacent leaves
- **Height of the leaf**-Dimension of the leaf along the direction of propagation of the primary x-ray beam.

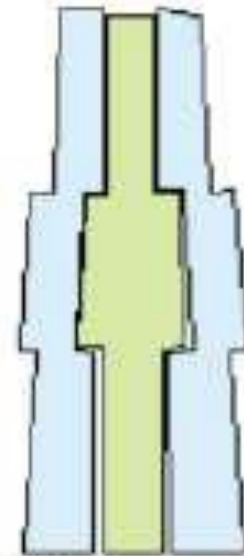


MLC Leaf design- Leaf sides

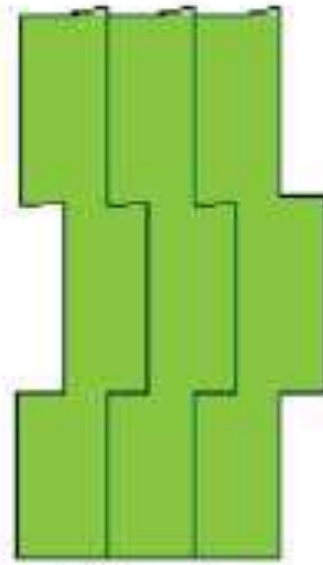
Tongue and Groove Construction



Elekta



Siemens

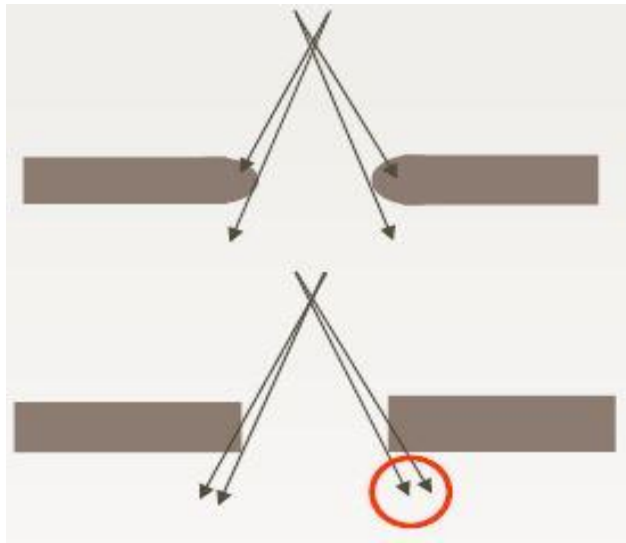


Varian

MLC Leaf design – Leaf end

- *Focused Leaf end*
 - the leaf ends are designed to follow the beam divergence as the field opens or closes.
 - Siemens Linac use MLC which move in an arc such that their flat ends are always in the same plane as the radiation focus.
 - Complex design.
 - Penumbra is less.
- *Unfocused Leaf end*
 - The leaf ends are round.
 - Simpler design.
 - Acceptable penumbra.
 - Varian and Elekta use this kind of MLC design.

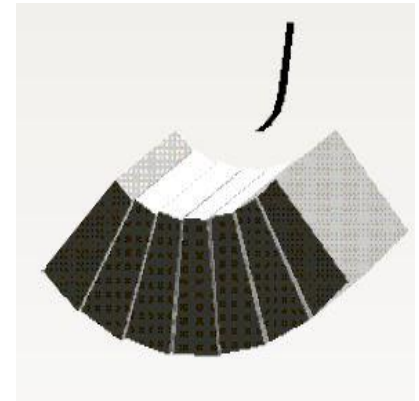
MLC Leaf design – Leaf end



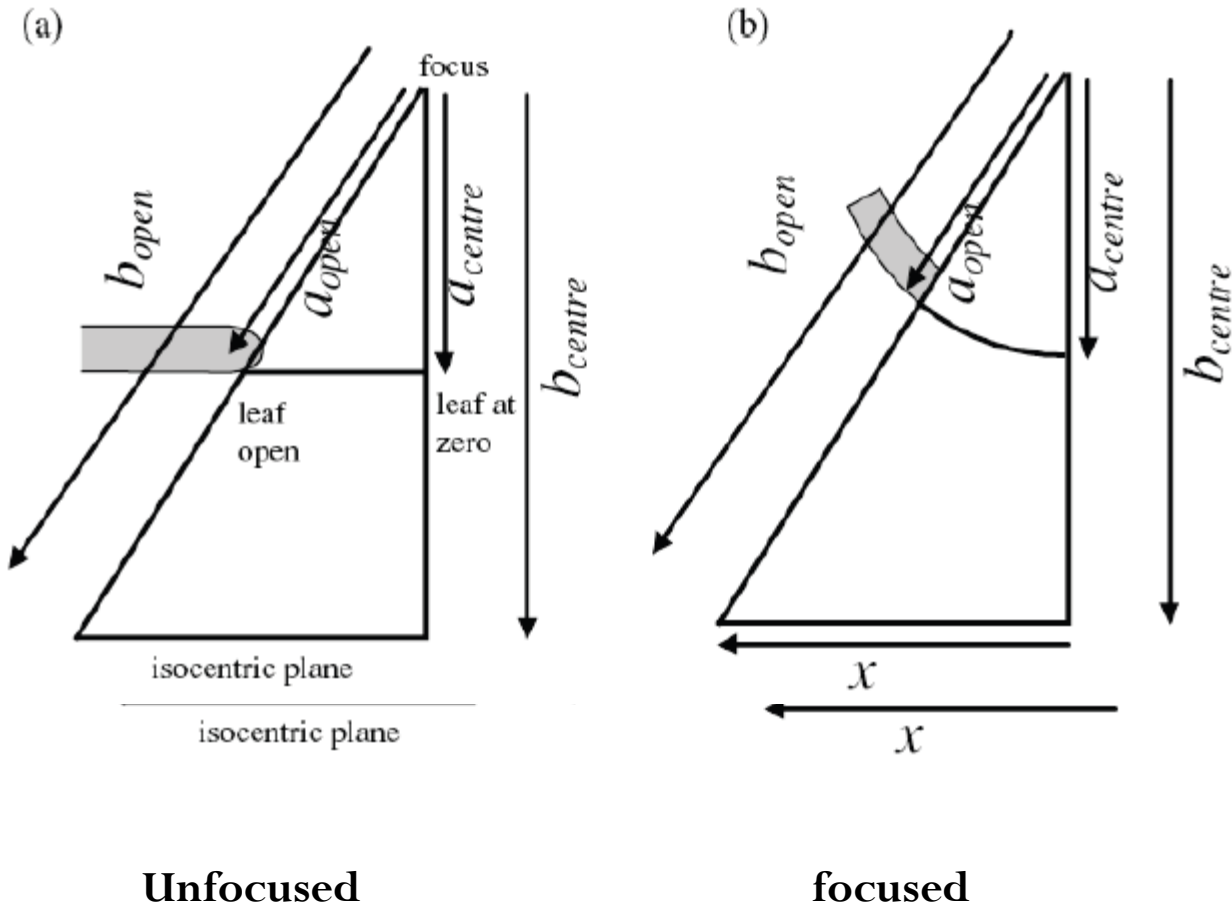
Unfocused



focused



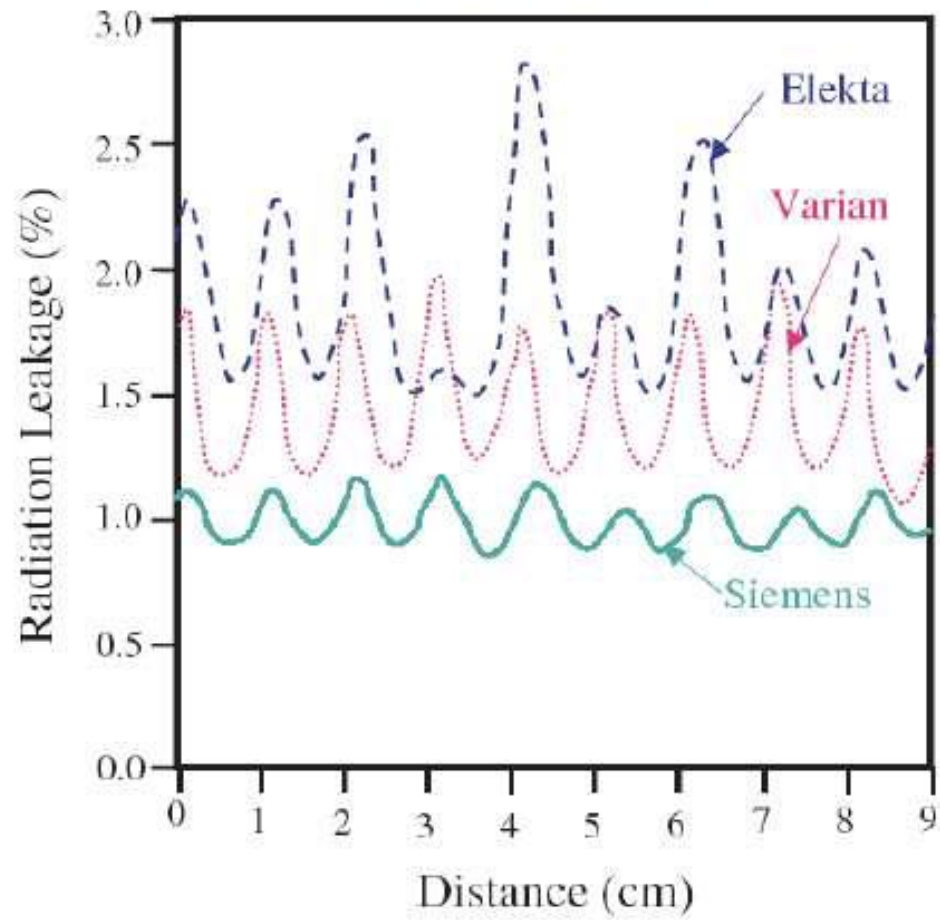
MLC Leaf design – Leaf end



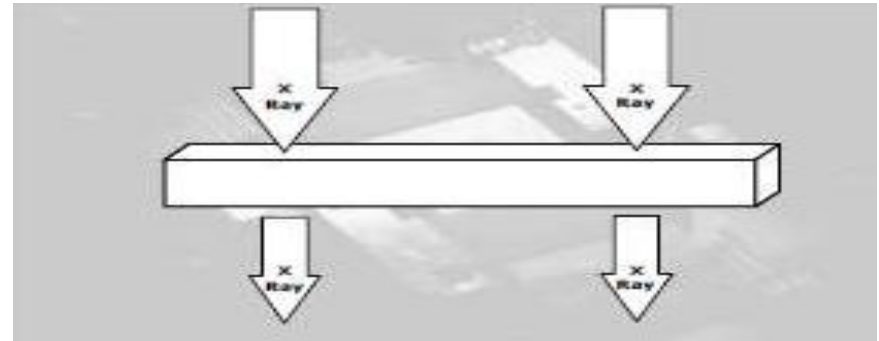
Transmission Specification

- *Intra leaf transmission*: The reduction of dose through the full height of the leaf.
- *Interleaf transmission*: The reduction of dose between adjacent leaves.
- *Leaf end transmission*: Reduction of dose measured along a ray passing between the ends of opposed leaves in their most closed position.

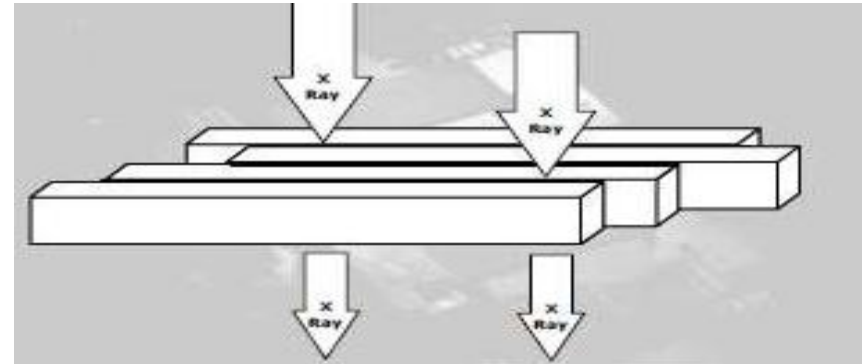
Inter-leaf leakage



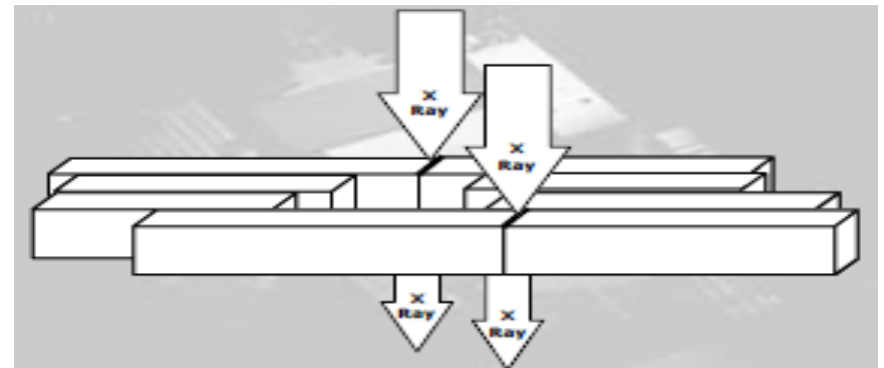
- **Intra Leaf Transmission**



- **Interleaf Transmission**



- **Leaf end Transmission**

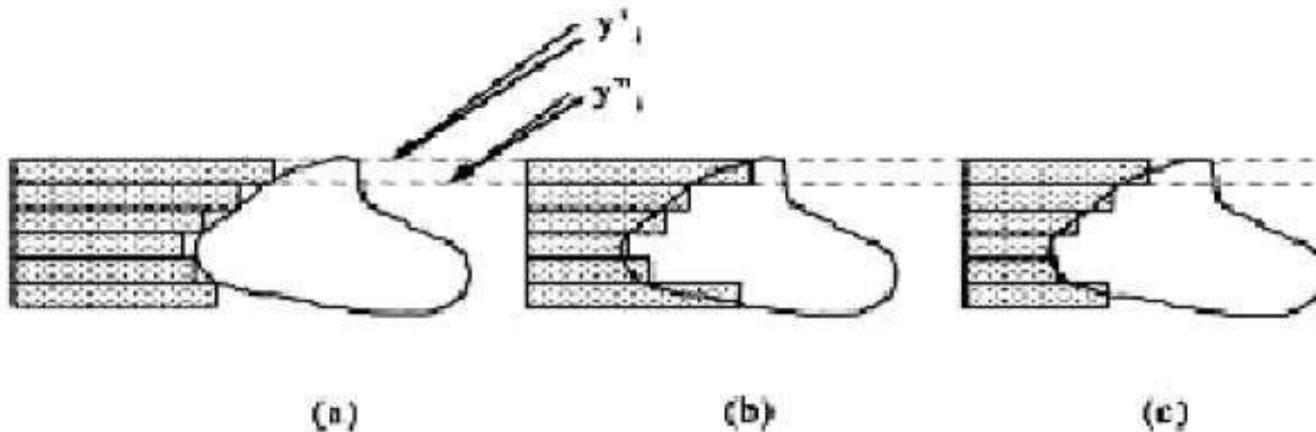


Clinical Applications

➤ *Leaf placement Strategies*

- *Definition of Target area* : Treatment planning system facilitates shaping leaves around PTV, as defined by a radiation oncologist.
- *Optimisation of MLC conformation* : To place automatically the leaves of MLC in conformity with the target contour shape, three leaf coverage strategies can be used.
 - *Out of field strategy*
 - *In field strategy*
 - *Cross boundary technique*

Leaf placement strategies



- a. *Out of field strategy* : Avoids shielding any part of PTV which may not be irradiated completely.
- b. *In field strategy* : PTV is not irradiated completely, but any part out of PTV is shielded.
- c. *Cross boundary technique* : Leaf positions are optimized such that in field area is equal to the out field area.

- *Optimization of Collimator rotation :*
 - One can optimize matching the leaf shape to target volume by rotating the collimator, and therefore, the direction of leaf travel.
- *Intensity Modulated Radiotherapy (IMRT) using MLC :*
 - Precise dose delivery on any part of treated area avoiding the surrounding healthy tissue.
 - MLC for IMRT should be very precise, motion of leaves must be fast and constant.
 - Two strategies of IMRT with MLC.
 - *Step and Shoot* - leaves moves when radiation is stopped.
 - *Dynamic* - Continuous movement of leaves during the treatment

Tests on MLC (3DCRT/IMRT)

- Positional accuracy & reproducibility
- Coincidence of MLC, collimator & couch axes
- Leaf width at isocentre
- Inter and intra leaf transmissions
- Leaf end gap - inter leaf collisions
- Over travel accuracy and reproducibility
- Skewness-Misalignment between the MLC leaves and the Primary Jaw or Backup Diaphragm
- Leaf speed
- Leaf end and radiation field edge offset

QA tests on MLC

Test Parameters	Tolerances
Field overlap	2.0 mm
Positional Accuracy	< 1 mm
Positional Reproducibility	± 1 mm
Light and Radiation field coincidence	± 2 mm
Coincidence of mechanical and radiation isocentre	≤ 2 mm dia
Average of intra and inter leaf transmission	± 0.5 %

Non Conventional MLCs

Mini and Micro MLCs

- Facilitates small field treatments in case of SRS and SBRT.
- Mini MLC - leaf width : 2mm to 5mm
Micro MLC - Leaf width : <2mm
- There are built in computer controlled MLC provided by many vendors. e.g. Varian
- Also there are add on MLC which can be attached to the Linac gantry head. e.g. Elekta Apex, Brainlab etc.

THANK YOU



SOURCE

